



BASIRHAT COLLEGE

(ESTD-1947)

BASIRHAT • NORTH 24 PARGANAS • PIN-743412

Phone: 03217-228505 ■ e-mail: info@basirhatcollege.org ■ website: www.basirhatcollege.org

Ref...TN/Bench/101

Date: 22.12.2018

Notice inviting bids / tender

Sealed item rate tenders / price bids are invited for the procurement of the sitting Benches/Desks for class room from reliable firms having trade license, PAN, GST registration.

The details of the items are furnished in a separate sheet.

Prospective bidders and tenderers are advised to submit price bids of the item in sealed envelope in the specified box kept in the Principal's Chamber by 7th January, 2019. The envelope should clearly mention the item for which the price bid / tender is submitted.

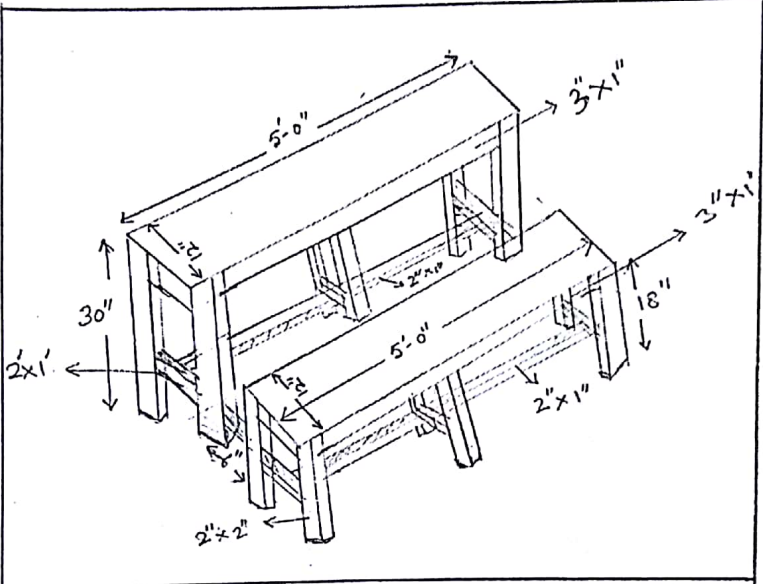
Reliable firms submitting price bids / tenders for items should submit along with the following documents:

1. Photocopy of PAN card and P. Tax
2. Photocopy of Trade license
3. Photocopy of GST related document

Principal
BASIRHAT COLLEGE
Basirhat, North 24 Parganas

Sitting Bench for Class Rooms

Technical Specification

1	The structure of the sitting bench would be made of good quality Sal wood.	
2		
3	The writing top/sitting top would be made of good quality 'Road Sirish'. The thickness of the writing top and Seat top would be 01 inch.	
4	Height of the writing top: 30 inches from the floor.	
5	Length of the writing top: 05 feet	
6	Writing top Width: 12 inches	
7	Space in between writing top and Seat: 06 inches	
8	Seat Width: 12 inches	
9	Seat Length : 05 feet	
10	The item has to be supplied without paint.	
11	Number of complete set (sitting + writing) of benches to be supplied : 50	

Handwritten signature
24.12.18

Principal
BASIRHAT COLLEGE
Basirhat, North 24 Parganas